



### Features:

- ✧ Support multi protocol from 9.95Gb/s to 11.3Gb/s
- ✧ Hot pluggable 30 pin connector
- ✧ Compliant with XFP MSA
- ✧ Transmission distance of 60km over single mode fiber(\***Don't consider high fiber Dispersion on 1370~1450nm**)

### wavelength)

- ✧ CWDM DFB laser transmitter.
- ✧ APD Receiver
- ✧ Duplex LC connector
- ✧ 2-wire interface for management and diagnostic monitor
- ✧ XFI electrical interface with AC coupling
- ✧ Power supply voltages : +3.3V
- ✧ Temperature range 0°C to 70°C
- ✧ Power dissipation: <3.5W
- ✧ RoHS Compliant

### Applications:

- ✧ 10GBASE-ER/EW Ethernet
- ✧ SONET OC-192 /SDH STM-64
- ✧ 60km 10G FC
- ✧ CWDM Networks

### Description:

Opway' OP8960-xx Small Form Factor 10Gb/s (XFP) transceivers are compliant with the current XFP Multi-Source Agreement (MSA) Specification. The high performance uncooled CWDM DFB transmitter and high sensitivity APD receiver provide superior performance for SONET/SDH, 10G FC and Ethernet applications up to 60km optical links.

### ● Absolute Maximum Ratings

Parameter	Symbol	Min	Max	Unit
Storage Temperature	T <sub>ST</sub>	-40	+85	°C
Operating Temperature	T <sub>OP</sub>	0	+70	°C
Supply Voltage	V <sub>CC</sub>	-0.5	+4.0	V

### ● Electrical Characteristics (T<sub>C</sub> =T<sub>OP</sub>)

Parameter	Symbol	Min	Typ	Max	Unit	Note
Supply Voltage	V <sub>CC</sub>	3.13		3.45	V	
Supply Current – V <sub>CC</sub> supply	I <sub>CC</sub>			500	mA	
Module total power	P			3.5	W	
<b>Transmitter</b>						
Input differential impedance	R <sub>in</sub>		100		Ω	1
Differential data input swing	V <sub>in,pp</sub>	150		820	mV	

### Shenzhen Opway Communication Co., Ltd.

Transmit Disable Voltage	VD	2.0		V <sub>cc</sub>	V	
Transmit Enable Voltage	VEN	GND		GND+ 0.8	V	
Transmit Disable Assert Time	T <sub>off</sub>			100	ms	
Tx Enable Assert Time	T <sub>on</sub>			100	ms	
<b>Receiver</b>						
Differential data output swing	V <sub>out,pp</sub>	300	500	850	mV	
Data output rise time	tr		-	35	ps	2
Data output fall time	tf		-	35	ps	2
LOS Fault	V <sub>LOS fault</sub>	V <sub>cc</sub> – 0.5		V <sub>cc HOST</sub>	V	3
LOS Normal	V <sub>LOS norm</sub>	GND		GND+0.5	V	3
Power Supply Rejection	PSR	See Note 4 below				4

**Notes:**

1. After internal AC coupling.
2. 20 – 80%
3. Loss Of Signal is open collector to be pulled up with a 4.7k–10kohm resistor to 3.15–3.6V. Logic 0 indicates normal operation; logic 1 indicates no signal detected.
4. Per Section 2.7.1. in the XFP MSA Specification.

● **Optical Characteristics (T<sub>C</sub> =T<sub>OP</sub>)**

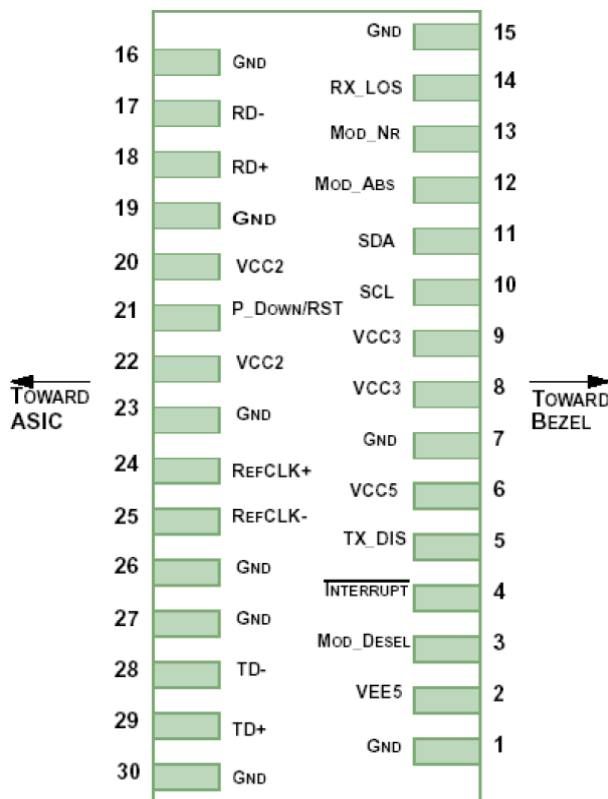
Parameter	Symbol	Min	Typ	Max	Unit	Ref.
<b>Transmitter</b>						
Operating Date Rate	BR	9.95		11.3	Gb/s	
Bit Error Rate	BER			10 <sup>-12</sup>		
Average Optical Power	P <sub>avg</sub>	0		+5	dBm	1
Optical Wavelength	λ	λ-6.5		λ+6.5	nm	
Optical Extinction Ratio	ER	3.5			dB	
Spectral Width	Δλ			1	nm	
Side mode Suppression ratio	SMSR <sub>min</sub>	30			dB	
Rise/Fall Time (20%~80%)	Tr/Tf			35	ps	
Average Launch power of OFF Transmitter	P <sub>OFF</sub>			-30	dBm	
Tx Jitter	T <sub>xj</sub>	Compliant with each standard requirements				
Optical Eye Mask		IEEE802.3ae				2
<b>Receiver</b>						
Operating Date Rate	BR	9.95		11.3	Gb/s	
Receiver Sensitivity	Sen			-22.0	dBm	2
Maximum Input Power	P <sub>MAX</sub>	-7			dBm	2
Optical Center Wavelength	λ <sub>c</sub>	1260		1620	nm	
Receiver Reflectance	R <sub>rx</sub>			-27	dB	
LOS De-Assert	LOS <sub>D</sub>			-23	dBm	
LOS Assert	LOS <sub>A</sub>	-35			dBm	
LOS Hysteresis	LOS <sub>H</sub>	0.5		5	dB	

**Notes:**

**Shenzhen Opway Communication Co., Ltd.**

- 1.The optical power is launched into SMF.
- 2.Measured with a PRBS 2<sup>31</sup>-1 test pattern @10.3125Gbps BER<10<sup>-12</sup>.

**Pin Assignment:**



**Diagram of Host Board Connector Block Pin Numbers and Name**

**Pin Description:**

Pin	Logic	Symbol	Name/Description	Ref.
1		GND	Module Ground	1
2		VEE5	Optional -5.2 Power Supply – Not required	
3	LVTTL-I	Mod-Desel	Module De-select; When held low allows the module to, respond to 2-wire serial interface commands	
4	LVTTL-O	<u>Interrupt</u>	Interrupt (bar); Indicates presence of an important condition which can be read over the serial 2-wire interface	2
5	LVTTL-I	TX_DIS	Transmitter Disable; Transmitter laser source turned off	
6		VCC5	+5 Power Supply	
7		GND	Module Ground	1
8		VCC3	+3.3V Power Supply	
9		VCC3	+3.3V Power Supply	
10	LVTTL-I	SCL	Serial 2-wire interface clock	2
11	LVTTL-I/O	SDA	Serial 2-wire interface data line	2
12	LVTTL-O	Mod_Abs	Module Absent; Indicates module is not present. Grounded in the module.	2
13	LVTTL-O	Mod_NR	Module Not Ready;	2
14	LVTTL-O	RX_LOS	Receiver Loss of Signal indicator	2
15		GND	Module Ground	1

16		GND	Module Ground	1
17	CML-O	RD-	Receiver inverted data output	
18	CML-O	RD+	Receiver non-inverted data output	
19		GND	Module Ground	1
20		VCC2	+1.8V Power Supply – Not required	
21	LVTTL-I	P_Down/RST	Power Down; When high, places the module in the low power stand-by mode and on the falling edge of P_Down initiates a module reset	
			Reset; The falling edge initiates a complete reset of the module including the 2-wire serial interface, equivalent to a power cycle.	
22		VCC2	+1.8V Power Supply – Not required	
23		GND	Module Ground	1
24	PECL-I	RefCLK+	Reference Clock non-inverted input, AC coupled on the host board – Not required	3
25	PECL-I	RefCLK-	Reference Clock inverted input, AC coupled on the host board – Not required	3
26		GND	Module Ground	1
27		GND	Module Ground	1
28	CML-I	TD-	Transmitter inverted data input	
29	CML-I	TD+	Transmitter non-inverted data input	
30		GND	Module Ground	1

**Note**

1. Module circuit ground is isolated from module chassis ground within the module.
2. Open collector; should be pulled up with 4.7k – 10k ohms on host board to a voltage between 3.15V and 3.6V.
3. A Reference Clock input is not required .

**Digital Diagnostic Functions:**

As defined by the XFP MSA 1 , Opway’s XFP transceivers provide digital diagnostic functions via a 2-wire serial interface, which allows real-time access to the following operating parameters:

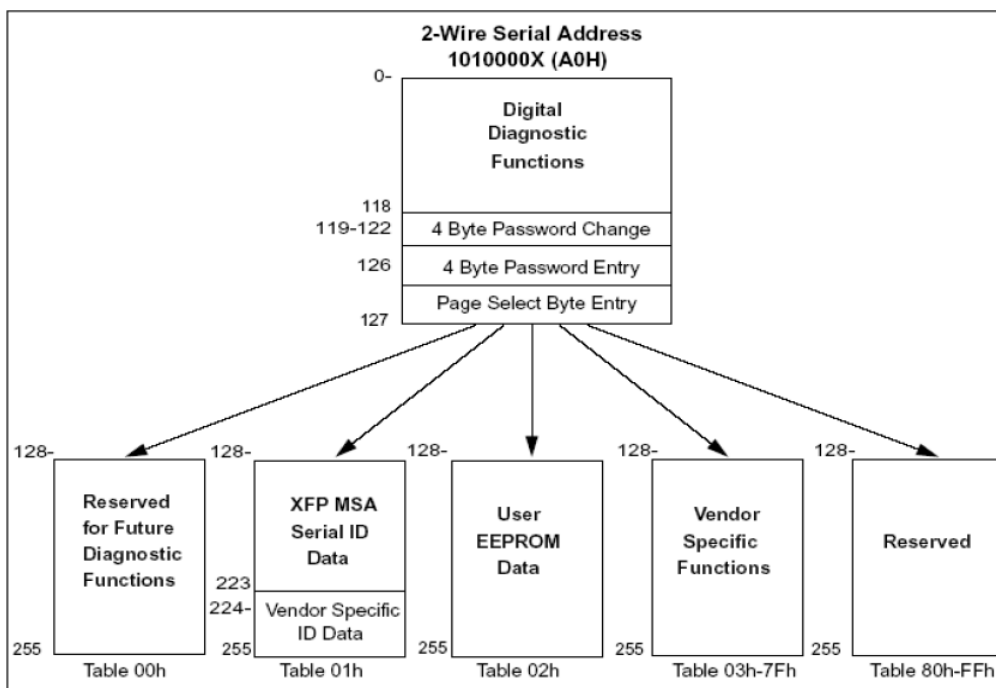
- ✓ Transceiver temperature
- ✓ Laser bias current
- ✓ Transmitted optical power
- ✓ Received optical power
- ✓ Transceiver supply voltage

It also provides a sophisticated system of alarm and warning flags, which may be used to alert end-users when particular operating parameters are outside of a factory-set normal range.

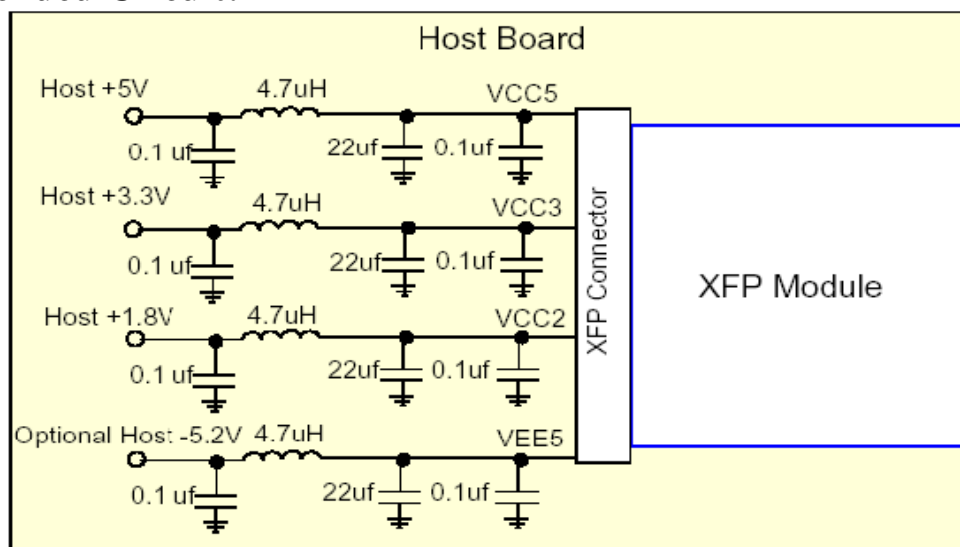
The operating and diagnostics information is monitored and reported by a Digital Diagnostics Transceiver Controller (DDTC) inside the transceiver, which is accessed through the 2-wire serial interface. When the serial protocol is activated, the serial clock signal (SCL pin) is generated by the host. The positive edge clocks data into the XFP transceiver into those segments of its memory map that are not write-protected. The negative edge clocks data from the XFP transceiver. The serial data signal (SDA pin) is bi-directional for serial data transfer. The host uses SDA in conjunction with SCL to mark the start and end of serial protocol activation. The memories are organized as a series of 8-bit data words that can be addressed individually or sequentially. The 2-wire serial interface provides sequential or random access to the 8 bit parameters, addressed from 000h to the maximum address of the memory.

**Shenzhen Opway Communication Co., Ltd.**

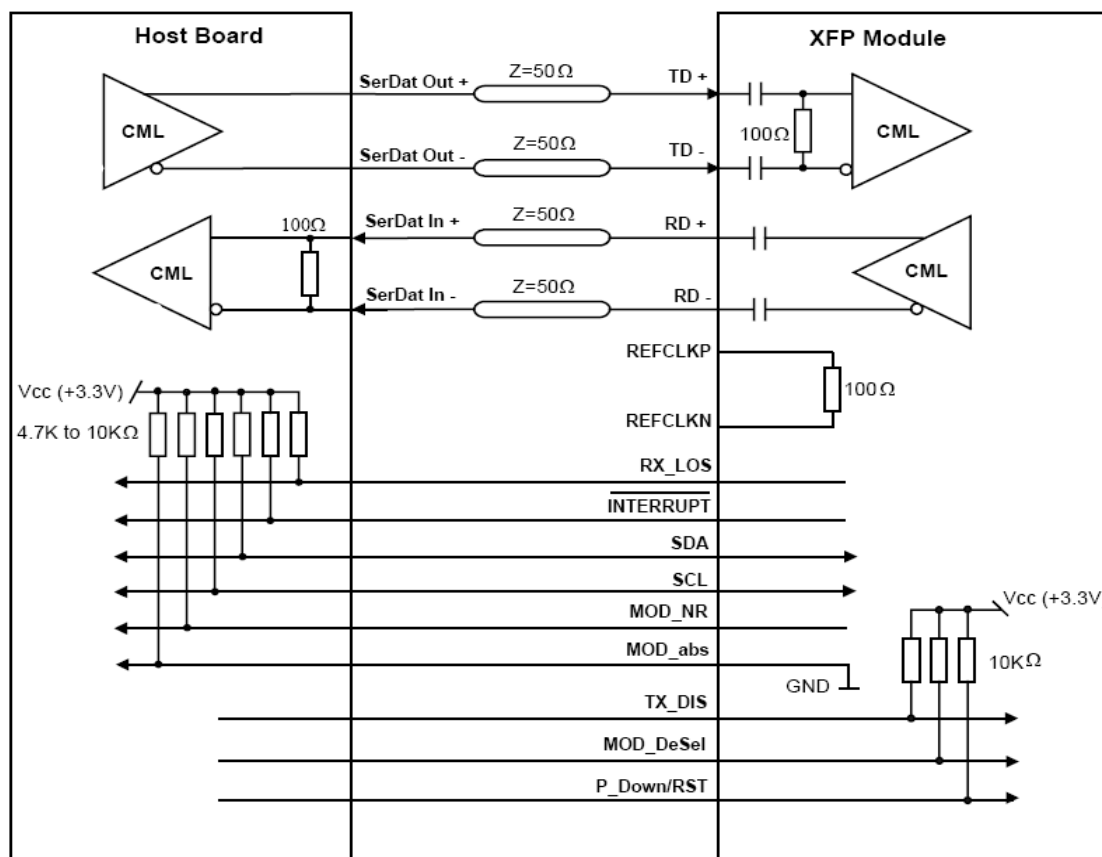
For more detailed information including memory map definitions, please see the XFP MSA Specification.



**Recommended Circuit:**

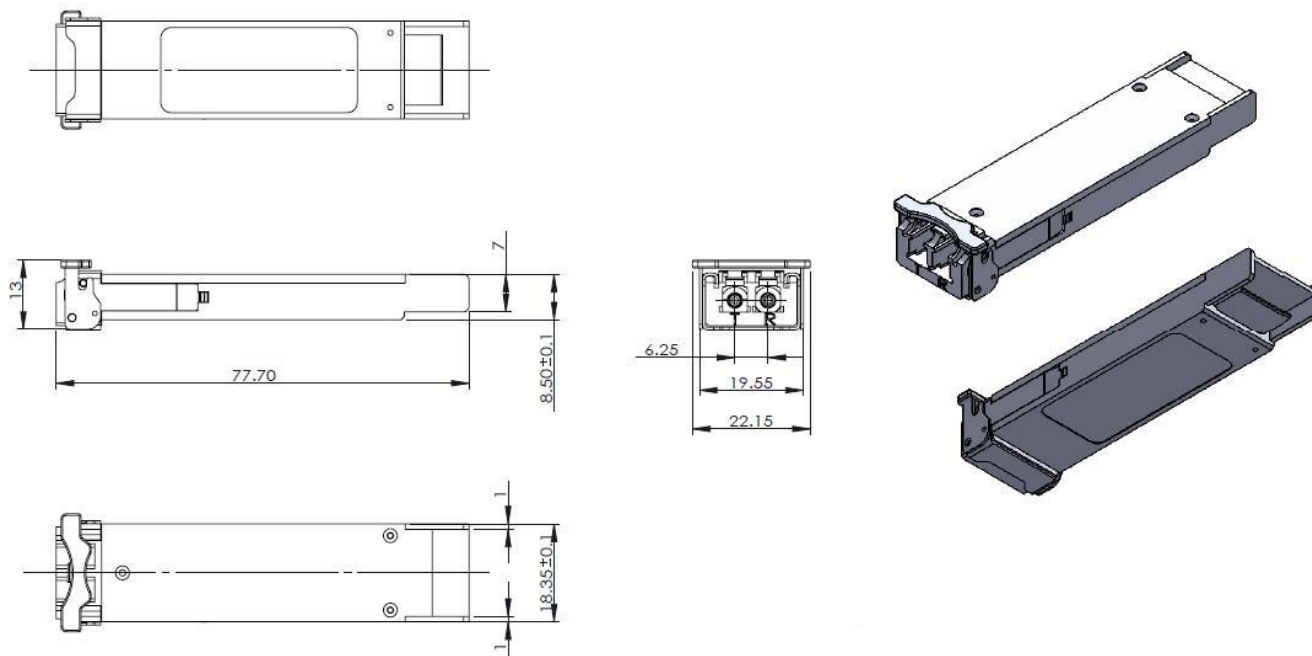


**Recommended Host Board Power Supply Circuit**



Recommended High-speed Interface Circuit

**Mechanical Dimensions:**



● **Order Information:**

In the Part No. of OP8960-xx, xx stands for central wavelength, such as:

**27: for 1270nm, 29: for 1290nm, 31: for 1310nm.....45: for 1450nm.**

OPWAY reserves the right to make changes to the products or information contained herein without notice. No liability is assumed as a result of their use or application. No rights under any patent accompany the sale of any such products or information.

Published by Shenzhen OPWAY Communication Co., Ltd.

Copyright © OPWAY

All Rights Reserved