



- ✧ DWDM EML laser transmitter
- ✧ APD Receiver
- ✧ 100GHz ITU Grid, C Band
- ✧ Duplex LC connector
- ✧ 2-wire interface for management and diagnostic monitor
- ✧ XFI electrical interface with AC coupling
- ✧ Power supply voltages : +3.3V, +5V
- ✧ Temperature range : 0°C to 70°C
- ✧ Power dissipation: <3.5W
- ✧ RoHS Compliant

**Features:**

- ✧ Support multi protocol from 9.95Gb/s to 11.3Gb/s
- ✧ Hot pluggable 30 pin connector
- ✧ Compliant with XFP MSA
- ✧ Transmission distance of 80km over single mode fiber

**Applications:**

- ✧ 10GBASE-ZR/ZW Ethernet
- ✧ SONET OC-192 /SDH STM-64
- ✧ 80km 10G FC
- ✧ DWDM Networks

**Description:**

Opway’ OP8980-Dxx Small Form Factor 10Gb/s (XFP) transceivers are compliant with the current XFP Multi-Source Agreement (MSA) Specification. The high performance cooled DWDM EML transmitter and high sensitivity APD receiver provide superior performance for SONET/SDH and Ethernet applications up to 80km optical links.

**Specification:**

● **Absolute Maximum Ratings**

Parameter	Symbol	Min	Max	Unit
Storage Temperature	T <sub>ST</sub>	-40	+85	°C
Operating Tempature	T <sub>IP</sub>	0	+70	°C
Supply Voltage 1	V <sub>CC3</sub>	-0.5	+4.0	V
Supply Voltage 2	V <sub>CC5</sub>	-0.5	+6.0	V

● **Electrical Characteristics (Condition: T<sub>a</sub>=T<sub>OP</sub>)**

Parameter	Symbol	Min	Typ	Max	Unit	Note
Supply Voltage 1	V <sub>cc5</sub>	4.75		5.25	V	
Supply Voltage 2	V <sub>cc3</sub>	3.13		3.45	V	
Supply Current – V <sub>cc5</sub> supply	I <sub>cc5</sub>			200	mA	
Supply Current – V <sub>cc3</sub> supply	I <sub>cc3</sub>			550	mA	
Module total power	P			3.5	W	
<b>Transmitter</b>						

**10G XFP DWDM Transceiver (OP8980-DXX)**  
**Duplex LC,DWDM, EML, APD Receiver, Single Mode, 80km**

Input differential impedance	R <sub>in</sub>		100		Ω	1	
Differential data input swing	V <sub>in,pp</sub>	150		820	mV		
Transmit Disable Voltage	V <sub>D</sub>	2.0		V <sub>cc</sub>	V		
Transmit Enable Voltage	V <sub>EN</sub>	GND		GND+ 0.8	V		
Transmit Disable Assert Time	T <sub>off</sub>			100	ms		
Tx Enable Assert Time	T <sub>on</sub>			100	ms		
<b>Receiver</b>							
Differential data output swing	V <sub>out,pp</sub>	300	500	850	mV		
Data output rise time	t <sub>r</sub>			35	ps	2	
Data output fall time	t <sub>f</sub>			35	ps	2	
LOS Fault	V <sub>LOS fault</sub>	V <sub>cc</sub> - 0.5		V <sub>CCHOST</sub>	V	3	
LOS Normal	V <sub>LOS norm</sub>	GND		GND+0.5	V	3	
Power Supply Rejection	PSR	See Note 4 below					4

**Notes:**

1. After internal AC coupling.
2. 20 – 80 %
3. Loss Of Signal is open collector to be pulled up with a 4.7k – 10kohm resistor to 3.15 – 3.6V. Logic 0 indicates normal operation; logic 1 indicates no signal detected.
4. Per Section 2.7.1. in the XFP MSA Specification.

● **Optical Characteristics (Condition: T<sub>a</sub>=T<sub>OP</sub>)**

Parameter	Symbol	Min	Typ	Max	Unit	Ref.
<b>Transmitter</b>						
Operating Data Rate	BR	9.95		11.3	Gb/s	
Bit Error Rate	BER			10 <sup>-12</sup>		
Maximum Launch Power	P <sub>MAX</sub>	0		+5	dBm	1
Optical Wavelength-End Of Life	λ	X-100	X	X+100	pm	
Optical Wavelength-Beginning Of Life	λ	X-25	X	X+25	pm	
Optical Extinction Ratio	ER	8.2			dB	
Spectral Width@ -20dB	Δλ			1	nm	
Sidemode Supression ratio	SMSR <sub>min</sub>	30			dB	
Rise/Fall Time (20%~80%)	T <sub>r</sub> /T <sub>f</sub>			35	ps	
Average Launch power of OFF Transmitter	P <sub>OFF</sub>			-30	dBm	
Tx Jitter	T <sub>xj</sub>	Compliant with each standard requirements				
Optical Eye Mask		IEEE802.3ae				2
<b>Receiver</b>						
Operating Data Rate	BR	9.95		11.3	Gb/s	
Receiver Sensitivity	Sen			-23	dBm	2
Maximum Input Power	P <sub>MAX</sub>	-7			dBm	2
Optical Center Wavelength	λ <sub>C</sub>	1260		1600	nm	
Receiver Reflectance	R <sub>RX</sub>			-27	dB	
LOS De-Assert	LOS <sub>D</sub>			-24	dBm	

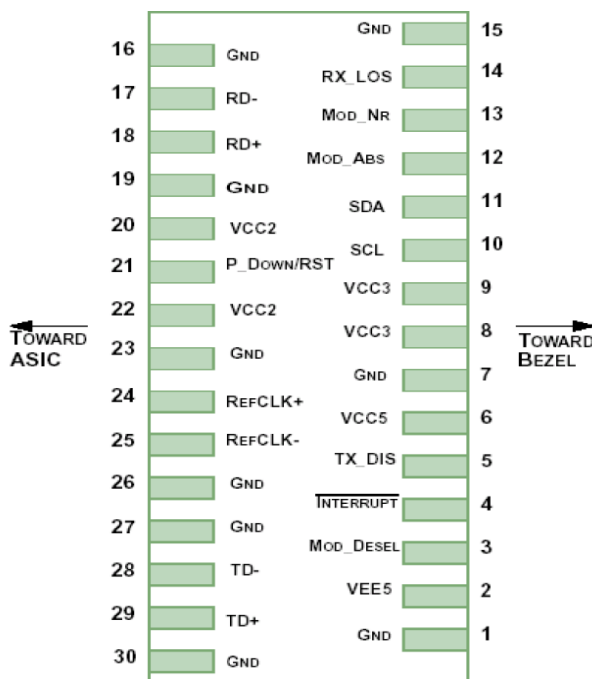
**Shenzhen Opway Communication Co., Ltd.**

LOS Assert	LOS <sub>A</sub>	-34			dBm	
LOS Hysteresis	LOS <sub>H</sub>	0.5		5	dB	

**Notes:**

1. The optical power is launched into SMF.
2. Measured with a PRBS 2<sup>31</sup>-1 test pattern @10.3125Gbps BER<10<sup>-12</sup>.

**Pin Assignment:**



**Diagram of Host Board Connector Block Pin Numbers and Name**

**Pin Description:**

Pin	Logic	Symbol	Name/Description	Ref.
1		GND	Module Ground	1
2		VEE5	Optional -5.2 Power Supply – Not required	
3	LVTTL-I	Mod-Desel	Module De-select; When held low allows the module to , respond to 2-wire serial interface commands	
4	LVTTL-O	Interrupt	Interrupt (bar); Indicates presence of an important condition which can be read over the serial 2-wire interface	2
5	LVTTL-I	TX_DIS	Transmitter Disable; Transmitter laser source turned off	
6		VCC5	+5 Power Supply	
7		GND	Module Ground	1
8		VCC3	+3.3V Power Supply	
9		VCC3	+3.3V Power Supply	
10	LVTTL-I	SCL	Serial 2-wire interface clock	2
11	LVTTL-I/O	SDA	Serial 2-wire interface data line	2
12	LVTTL-O	Mod_Abs	Module Absent; Indicates module is not present. Grounded in the module.	2
13	LVTTL-O	Mod_NR	Module Not Ready;	2
14	LVTTL-O	RX_LOS	Receiver Loss of Signal indicator	2
15		GND	Module Ground	1
16		GND	Module Ground	1

17	CML-O	RD-	Receiver inverted data output	
18	CML-O	RD+	Receiver non-inverted data output	
19		GND	Module Ground	1
20		VCC2	+1.8V Power Supply – Not required	
21	LVTTL-I	P_Down/RST	Power Down; When high, places the module in the low power stand-by mode and on the falling edge of P_Down initiates a module reset	
			Reset; The falling edge initiates a complete reset of the module including the 2-wire serial interface, equivalent to a power cycle.	
22		VCC2	+1.8V Power Supply – Not required	
23		GND	Module Ground	1
24	PECL-I	RefCLK+	Reference Clock non-inverted input, AC coupled on the host board – Not required	3
25	PECL-I	RefCLK-	Reference Clock inverted input, AC coupled on the host board – Not required	3
26		GND	Module Ground	1
27		GND	Module Ground	1
28	CML-I	TD-	Transmitter inverted data input	
29	CML-I	TD+	Transmitter non-inverted data input	
30		GND	Module Ground	1

**Note**

1. Module circuit ground is isolated from module chassis ground within the module.
2. Open collector; should be pulled up with 4.7k – 10k ohms on host board to a voltage between 3.15V and 3.6V.
3. A Reference Clock input is not required .

**Digital Diagnostic Functions:**

As defined by the XFP MSA 1 , Opway’s XFP transceivers provide digital diagnostic functions via a 2-wire serial interface, which allows real-time access to the following operating parameters:

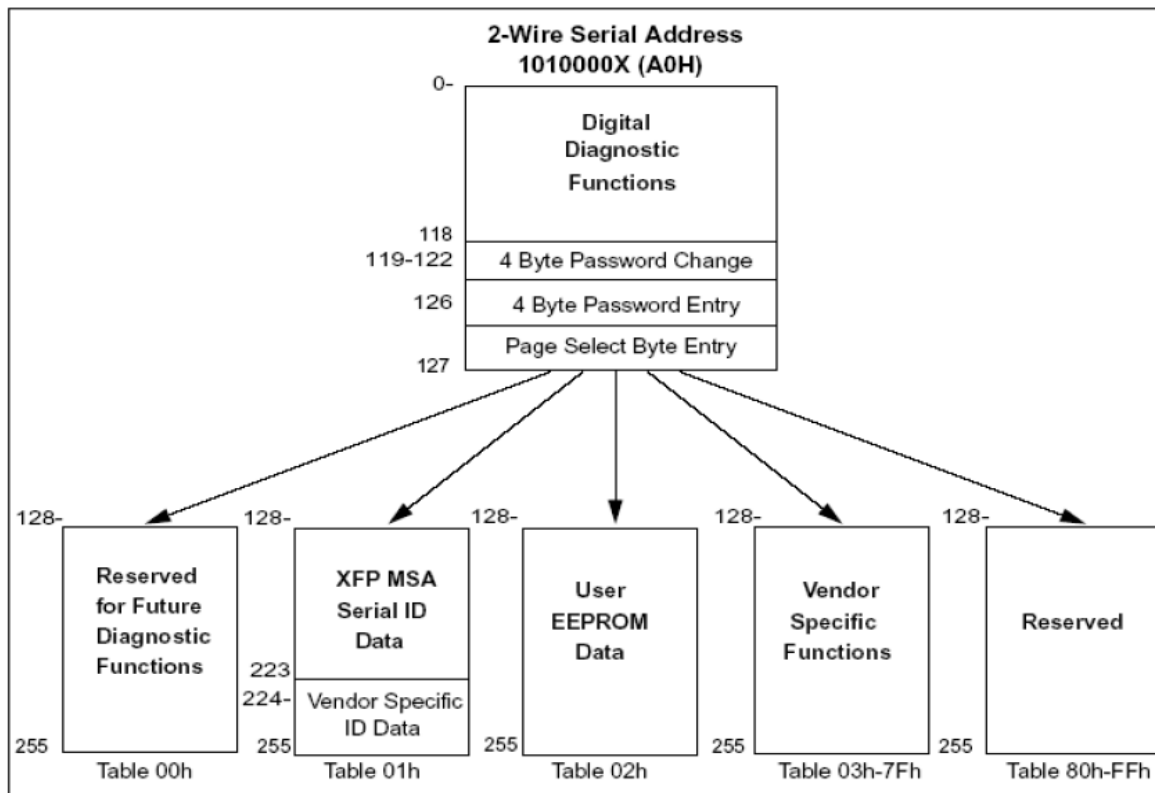
- ✓ Transceiver temperature
- ✓ Laser bias current
- ✓ Transmitted optical power
- ✓ Received optical power
- ✓ Transceiver supply voltage

It also provides a sophisticated system of alarm and warning flags, which may be used to alert end-users when particular operating parameters are outside of a factory-set normal range.

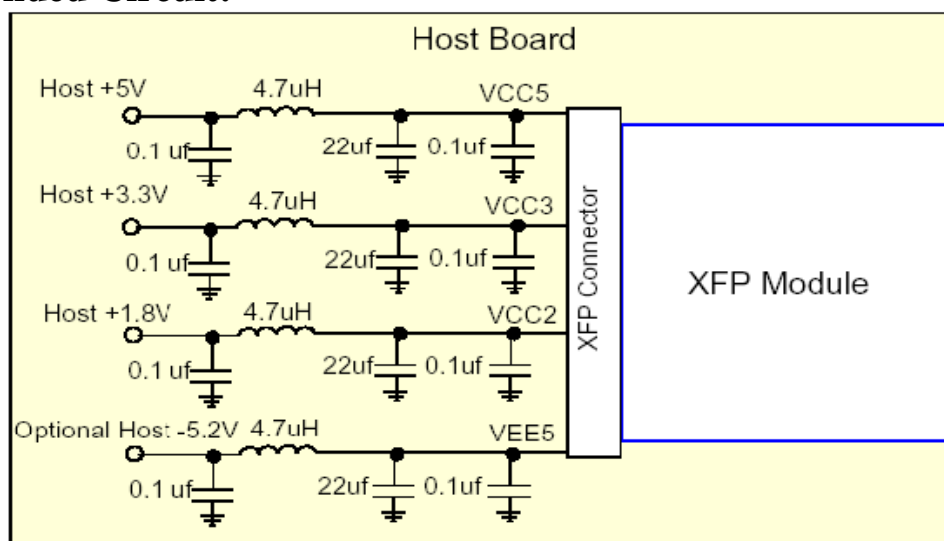
The operating and diagnostics information is monitored and reported by a Digital Diagnostics Transceiver Controller (DDTC) inside the transceiver, which is accessed through the 2-wire serial interface. When the serial protocol is activated, the serial clock signal (SCL pin) is generated by the host. The positive edge clocks data into the XFP transceiver into those segments of its memory map that are not write-protected. The negative edge clocks data from the XFP transceiver. The serial data signal (SDA pin) is bi-directional for serial data transfer. The host uses SDA in conjunction with SCL to mark the start and end of serial protocol activation. The memories are organized as a series of 8-bit data words that can be addressed individually or sequentially. The 2-wire serial interface provides sequential or random access to the 8 bit parameters, addressed from 000h to the maximum address of the memory.

For more detailed information including memory map definitions, please see the XFP MSA

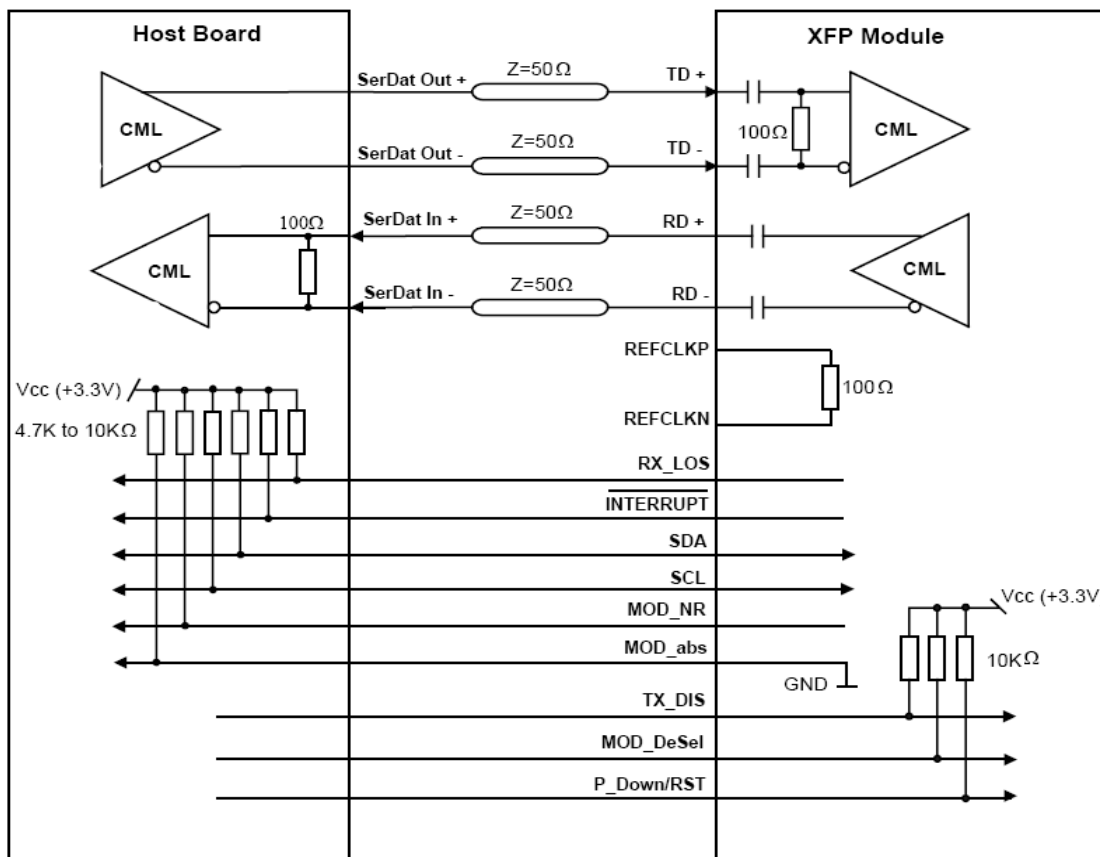
Specification.



**Recommended Circuit:**

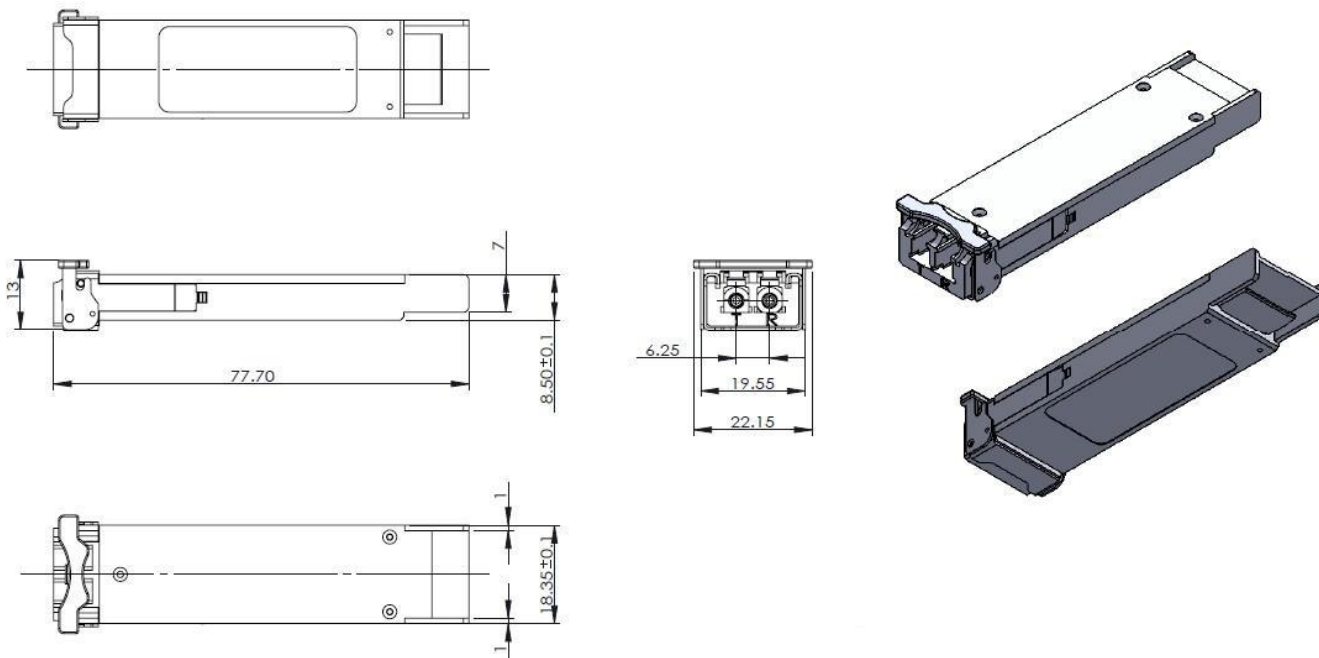


**Recommended Host Board Power Supply Circuit**



**Recommended High-speed Interface Circuit**

**Mechanical Dimensions:**



● **PRODUCT SELECTION**

OP8980-DXX	XX: 100GHZ ITU Grid Wavelength	
Part No.	Central Wavelength(nm)	Frequency (THZ)
OP8980-D61	1528.77	196.1
OP8980-D60	1529.55	196.0
OP8980-D59	1530.33	195.9
OP8980-D58	1531.12	195.8
OP8980-D57	1531.90	195.7
OP8980-D56	1532.68	195.6
OP8980-D55	1533.47	195.5
OP8980-D54	1534.25	195.4
OP8980-D53	1535.04	195.3
OP8980-D52	1535.82	195.2
OP8980-D51	1536.61	195.1
OP8980-D50	1537.40	195.0
OP8980-D49	1538.19	194.9
OP8980-D48	1538.98	194.8
OP8980-D47	1539.77	194.7
OP8980-D46	1540.56	194.6
OP8980-D45	1541.35	194.5
OP8980-D44	1542.14	194.4
OP8980-D43	1542.94	194.3
OP8980-D42	1543.73	194.2
OP8980-D41	1544.53	194.1
OP8980-D40	1545.32	194.0
OP8980-D39	1546.12	193.9
OP8980-D38	1546.92	193.8
OP8980-D37	1547.72	193.7
OP8980-D36	1548.51	193.6
OP8980-D35	1549.32	193.5
OP8980-D34	1550.12	193.4
OP8980-D33	1550.92	193.3
OP8980-D32	1551.72	193.2
OP8980-D31	1552.52	193.1
OP8980-D30	1553.33	193.0
OP8980-D29	1554.13	192.9
OP8980-D28	1554.94	192.8
OP8980-D27	1555.75	192.7
OP8980-D26	1556.55	192.6



OP8980-D25	1557.36	192.5
OP8980-D24	1558.17	192.4
OP8980-D23	1558.98	192.3
OP8980-D22	1559.79	192.2
OP8980-D21	1560.61	192.1
OP8980-D20	1561.42	192.0
OP8980-D19	1562.23	191.9
OP8980-D18	1563.05	191.8
OP8980-D17	1563.86	191.7

OPWAY reserves the right to make changes to the products or information contained herein without notice. No liability is assumed as a result of their use or application. No rights under any patent accompany the sale of any such products or information.

Published by Shenzhen OPWAY Communication Co., Ltd.

Copyright © OPWAY

All Rights Reserved